

C U S T O M

*Quality & Design*



O U T D O O R S T R U C T U R E S

# Welcome

When you need more room for life – we can help

Do you need more space? For garden tools, lawn equipment, toys, bikes, boxes and bins... you know, for life? Or maybe you're looking to create an artist's studio, hobby shop, or backyard office shed? Whatever your needs, we're here to help you choose the perfect shed to solve your storage problems.

**1. A design that is uniquely yours**

Customize your new shed to fit your unique style and needs.

**2. Sheds built to last**

Invest in a shed that is built with the same grade of construction materials and skilled approach that is used to build a house.

**3. Decades of experience**

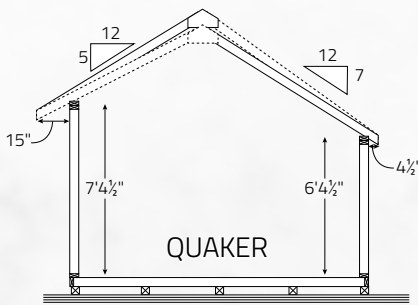
Your perfect shed becomes a reality with the quality that comes from years of experience by multi-generational Amish Craftsmen in Lancaster County.



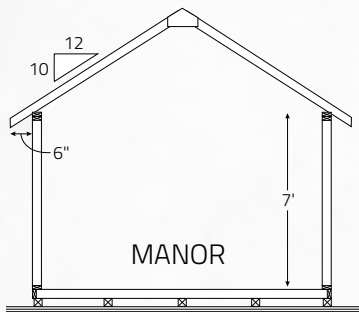
## Table of Contents

New England Series . . . . .	4-5
Nantucket Series . . . . .	6-7
Deluxe Series . . . . .	8-9
Garden Cottage . . . . .	10-11
Traditional Series . . . . .	12-13
Traditional Vinyl Series . . . . .	14-15
Garage Series . . . . .	16-17
Double Wide Series . . . . .	18
Manor Series. . . . .	19
Quaker Series . . . . .	20
Dutch Series . . . . .	21
Gallery . . . . .	22-27
Horse Barns . . . . .	28-29
Options . . . . .	30-31
Value Sheds . . . . .	32

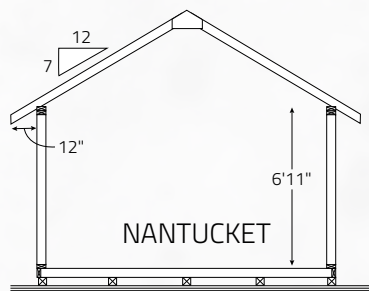
# Shed Styles



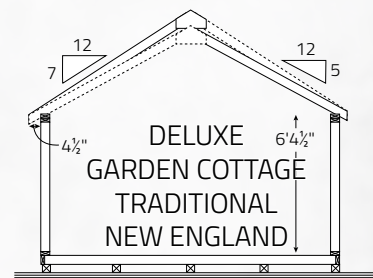
3 1/2" Gable Overhang  
 15" Front Eave Overhang  
 4 1/2" Back Eave Overhang  
 7 1/4" Front Wall Height  
 6 1/4" Back Wall Height  
 5/12 or 7/12 Pitch Roof



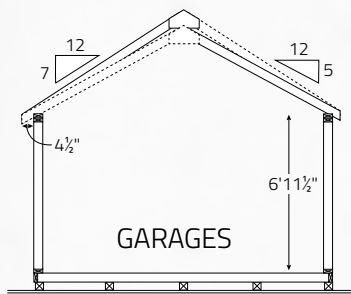
12" Gable Overhang  
 6" Eave Overhang  
 7' Wall Height  
 1 1/2 Pitch Roof



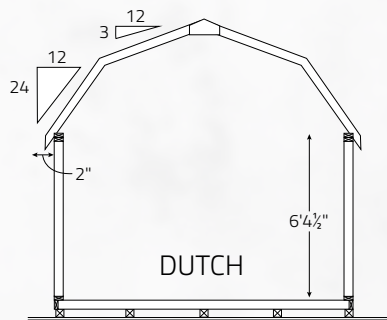
12" Gable Overhang  
 12" Eave Overhang  
 6'11" Wall Height  
 7/12 Pitch Roof



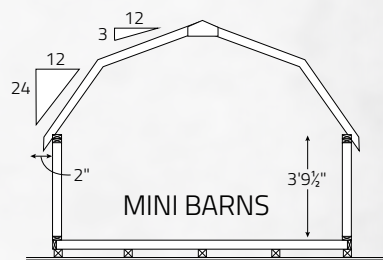
3 1/2" Gable Overhang  
 4 1/2" Eave Overhang  
 6'4 1/2" Wall Height  
 7/12 or 5/12 Pitch Roof



3 1/2" Gable Overhang  
 4 1/2" Eave Overhang  
 6'11 1/2" Wall Height  
 7/12 or 5/12 Pitch Roof



3 1/2" Gable Overhang  
 2" Eave Overhang  
 6' 4 1/2" Wall Height  
 3/12 to 24/12 Pitch Roof



3 1/2" Gable Overhang  
 2" Eave Overhang  
 3' 9 1/2" Wall Height  
 3/12 to 24/12 Pitch Roof

# *New England Series*



## *10' x 16' New England A-Frame*

7/12 Pitch Roof • Custom Blue Siding • White Trim • Dual Black Shingles • White Doors  
Options Shown: Transom Windows In Doors, Diamond Plate Threshold

# New England Series

LP SMARTSIDE SIDING



## 10' x 12' New England A-Frame

7/12 Pitch Roof • Red Siding • White Trim • Charcoal Gray Shingles • White Doors  
Options Shown: Carriage Doors, 6-Lite Arched Windows, Diamond Plate Threshold



## 10' x 12' New England A-Frame

7/12 Pitch Roof • Red Siding • White Trim  
Williamsburg Slate Shingles • White Doors  
Options Shown: Eyebrow Round Double Doors,  
Extra Eyebrow Round Single Door, Diamond Plate Threshold



## 10' x 16' New England A-Frame

7/12 Pitch Roof • SP Gray Siding • White Trim • Dual Black Shingles  
Options Shown: Upgraded To Fiberglass Doors,  
9 Lites In Double Doors, Extra 15-Lite Single Door, A-Frame Dormer

# Nantucket Series



## *10' x 14' Nantucket Quaker*

7/12 Pitch Roof • SP Gray Siding • White Trim • Beechwood Shingles • Navy Blue Doors  
Options Shown: Transom Windows In Doors • Diamond Plate Threshold

# Nantucket Series

LP SMARTSIDE SIDING



## 8' x 12' Nantucket

7/12 Pitch Roof • Avocado Lap Siding • Navajo White Trim • Brown Shingles  
Options Shown: Extra Single Door, Upgraded Doors (Beaded Pine)  
Upgraded Windows (Double Wood Windows)



## 10' x 16' Nantucket Quaker

7/12 Pitch Roof • White Trim • Dual Black Shingles  
Options Shown: Round 3' Single Door • Cupola



## 10' x 16' Nantucket Quaker

7/12 Pitch Roof • Custom Siding • White Trim  
Weatherwood Shingles  
Options Shown: 12 Lite insert in Single Door, Two Extra 24x36  
Windows with Flower Boxes, Cupola

*Deluxe Series**10' x 16' Deluxe A-Frame*

7/12 Pitch Roof • Silver Maple Siding • White Trim  
Weatherwood Shingles • White Doors  
Options Shown: Diamond Plate Threshold





*10' x 12' Deluxe A-Frame*

9/12 Pitch Roof • Silver Maple Siding • Navajo White Trim • Weatherwood Shingles  
Options Shown: Diamond Plate Threshold, Single Hung Wood Windows, Extra Single Door



*8' x 12' Deluxe A-Frame*

7/12 Pitch Roof • Navy Blue Siding • White Trim  
Weatherwood Shingles  
Options Shown: Beaded Pine Doors, Diamond Plate Threshold



*10' x 16' Deluxe A-Frame*

7/12 Pitch Roof • SP Gray Siding • White Trim  
Charcoal Gray Shingles • Black Louvered Shutters  
Options Shown: Diamond Plate Threshold,  
Extra Single Door, 6-Lite Wood Windows in Doors,  
Louvered Shutters

# Garden Cottage Series



## *10' x 12' Garden Cottage A-Frame*

7/12 Pitch Roof • Urethane Driftwood Stain • White Trim • Dual Black Shingles • White Doors  
Options Shown: Transom Dormer, Transom Windows in Door • Diamond Plate Threshold

# Garden Cottage Series

LP LAP SIDING



*12' x 20' Garden Cottage Garage A-Frame*  
7/12 Pitch Roof • White Siding • White Trim • Dual Black Shingles • Dark Gray Doors  
Options Shown: Transom Window in Doors, 9x7 Garage Door



*10' x 20' Garden Cottage A-Frame*  
7/12 Pitch Roof • Silver Maple Siding  
White Trim • Cedar Stained Doors  
Options Shown: Extra Beaded Pine Single Door with  
Transom Windows, Double Doors Upgraded to  
Beaded Pine with Transom Windows, 40x36 16-lite  
Double Outswing Wood Windows



*10' x 16' Garden Cottage Quaker*  
7/12 Pitch Roof • Cobblestone Siding • White Trim  
Barkwood Shingles • White doors  
Options Shown: Black Wood Z Shutters, Diamond Plate Threshold,  
Transom Windows in Doors

*Traditional Series*



*8' x 12' Traditional A-Frame*

7/12 Pitch Roof • Dark Gray Siding • Black Trim • Weatherwood Shingles

# Traditional Series

LP SMARTSIDE SIDING



*12' x 24' Traditional Garage A-Frame*

5/12 Pitch Roof • Tan Siding • White Trim • Weatherwood Shingles • Black Shutter • Options Shown: 9x7 Garage Door



*10' x 16' Traditional Dutch Barn*

Almond Siding • White Trim • Driftwood Shingles • Blue Shutters  
Options Shown: Diamond Plate Threshold



*8' x 12' Traditional A-Frame*

7/12 Pitch Roof • Light Gray Siding • White Trim • Dual Gray Shingles

# Traditional Vinyl Series



## 10' x 20' Traditional A-Frame

5/12 Pitch Roof • Almond Siding • White Trim • Weatherwood Shingles • Black Louvered Shutters  
Options Shown: Diamond Plate Threshold, Extra Double Doors, Upgraded to Garden Vents

# Traditional Vinyl Series

## 12' x 20' Traditional Quaker

Gray Siding • White Trim  
Charcoal Gray Shingles  
Black Shutters  
Options Shown: Transom  
Windows in Doors,  
Ridge Vent, Diamond  
Plate Threshold



## 10' x 12' Traditional Quaker

White Siding • White Trim • Earthtone  
Cedar Shingles  
Navy Blue Shutters  
Options Shown:  
Gutters and Downspout,  
Diamond Plate Threshold

12' x 16' Hip Roof  
Tan Siding • White Trim • Harvard Slate Shingles  
Options Shown:  
Extra Double Doors, Diamond Plate  
Threshold, Beaded Vinyl Siding



# Garage Series

## 12' x 16' Deluxe Garage

7/12 Pitch Roof • Silver Maple Siding  
 White Trim  
 Weatherwood Gray Shingles  
 Custom Color Shutters  
 Options Shown: Diamond Plate  
 Threshold on Double Doors,  
 Upgrade to Double Doors  
 Custom Garage Door



## 12' x 20' Deluxe Garage

7/12 Pitch Roof  
 Silver Maple Siding • White Trim  
 Barkwood Shingles  
 Custom Color Shutters & Doors  
 Options Shown: Double Door Upgrade,  
 Diamond Plate Threshold on Double  
 Doors  
 Custom Garage Door

## 12' x 24' New England Garage

7/12 Pitch Roof • Buckskin White Siding  
 White Trim • Barkwood Shingles  
 Options Shown: Diamond Plate, Threshold,  
 Carriage Style Garage Doors with Glass,  
 Arched Trim above Garage Door Opening,  
 Transom Window In Door







*12' x 24' Traditional Garage*

5/12 Pitch Roof • Gray Siding • White Trim • Charcoal Gray Shingles • Black Shutters  
Options Shown: Garden Vent Upgrade, Diamond Plate Threshold



*12' x 20' Traditional Garage*

5/12 Pitch Roof • Tan Siding • Custom Color Trim • Dual Gray Shingles  
Options Shown: Diamond Plate Threshold, Double Door Upgrade

# Double Wide Series



*24' x 28' Double Wide Garage*

Clay Siding • White Trim • Weatherwood Shingles



*24' x 24' Double Wide Garage*

Chestnut Siding • Dark Brown Trim • Dual Brown Shingles

# Manor Series



## *10' x 16' Manor*

10/12 Pitch Roof • Urethane Siding • White Trim • Dual Black Shingles  
Options Shown: Diamond Plate Threshold, Transom Window Dormer, 2 Panel Plank Dutchman  
Fiberglass Doors, 3 Extra 24"x36" Windows, Deluxe Trim Package, LP Lap Siding



## *10' x 16' Manor*

10/12 Pitch Roof • Mushroom Board and Batten Pine Siding  
Options Shown: 3 Window Transom Dormer, Transom Windows in Gables, Flower Boxes, Arched Wood Windows,  
Carriage Doors, Metal Roof, Diamond Plate Threshold, Pine Board and Batten Siding

# Quaker Series



## *10' x 12' Garden Cottage Quaker*

SP Gray Siding • White Trim • Harvard Slate Shingles  
Options Shown: Beaded Pine Doors,  
Transom Windows in Doors, Diamond Plate Threshold, LP Lap Siding



## *8' x 10' New England*

Buckskin Siding • Dark Brown Trim • Weatherwood Shingles  
Options Shown: Diamond Plate Threshold, SmartSide

## *Dutch Series*



### *12' x 20' Traditional Dutch Barn*

Buckskin Siding • Chestnut Brown Trim • Barkwood Shingles, SmartSide



### *10' x 12' Mini Barn*

Custom Color Siding & Trim • Harvard Slate Shingles  
Options Shown: Ridge Vent, Diamond Plate Threshold, SmartSide



*10' x 16' Garden Cottage A-Frame*

7/12 Pitch Roof • Gray Siding • White Trim  
 Pewter Gray Shingles Blue Doors  
 Options Shown: Extra Single Door, Double Wood  
 Window Upgrade, Diamond Plate Threshold,  
 Transom Windows in Door



*10' x 12' Garden Cottage A-Frame*

7/12 Pitch Roof • Driftwood Urethane Siding  
 White Trim • Charcoal Gray Shingles  
 Options Shown: Diamond Plate Threshold, Extra Single Door



*12' x 20' Garden Cottage A-Frame*

7/12 Pitch Roof • Avocado Siding • Tan Trim  
 Dual Black Shingles  
 Options Shown: 4 Window Transom Dormer, 2 Extra 24x36 Windows,  
 Transom Window Above Window and Door,  
 9-Lite Fiberglass Door, Diamond Plate Threshold  
 Wood Z Shutters



*12' x 20' Double Lean-To*

Dark Gray Siding • SP Gray Trim • Black Metal Roof  
 Options Shown: Transom Window Above Rolling  
 Door, Rolling Track Barn Doors



*8' x 12' Lean-To*

White Siding • Red Trim • Blue Shingles • 4x12 Porch  
 Options Shown: 9-Lite Wood Window in Door



*10' x 12' New England A-Frame*

9/12 Pitch Roof • Red Siding • Navajo White Trim  
 Charcoal Gray Shingles  
 Options Shown: Diamond Plate Threshold, 6-Lite Arched Wood  
 Window, Carriage Doors, Braces in Gable



*12 x 24 New England  
Garage A-Frame*

7/12 Pitch Roof • Sp Gray Siding  
White Trim • Dual Black Shingles  
Options Shown: Transom Window in Door,  
Upgraded to Carriage Garage Door



*10 x 16 Deluxe A-Frame*

7/12 Pitch Roof • SP Gray Siding • White Trim  
Charcoal Gray Shingles • Black Vinyl Louvered Shutters  
Options Shown: Diamond Plate Threshold  
Extra Single Door, 6 Lites In Doors



*10 x 16 Nantucket*

7/12 Pitch Roof • Red Siding • Red Trim  
Dual Black Shingles • Black Wood Shutters  
Options Shown: Transom Windows above Windows, Extra 3' Single  
Door with 12-Lite Window, Diamond Plate Threshold



*10 x 14 New England A-Frame*

7/12 Pitch Roof • Navajo White Siding  
White Trim • Dual Black Shingles  
Options Shown: Diamond Plate Threshold,  
Extra Single Door, Upgraded to Eyebrow Round Doors,  
3 Window Transom Dormer



*10 x 14 New England Garage A-Frame*

7/12 Pitch Roof • Cedar Urethane Siding • Dark Brown Trim  
Dual Brown Shingles  
Options Shown: Diamond Plate Threshold



*12 x 16 New England A-Frame*

7/12 Pitch Roof • Dark Gray Siding • White Trim  
Charcoal Gray Shingles • Vinyl Louvered Shutters  
Options Shown: 3 Window Transom Dormer,  
1 Extra 24x36 Window, 1/2 Moon Vents



*10' x 16' New England A-Frame*

7/12 Pitch Roof • Iron Gray Siding • White Trim  
Charcoal Gray Shingles

Options Shown: Extra Double Door, Transom Window above  
Double Doors, Diamond Plate Threshold



*10' x 16' Traditional Hip Roof*

Custom Siding • White Trim • Custom Shingles  
Red Louvered Shutters

Options Shown: Diamond Plate Threshold,  
Transom Windows in Doors



*10' x 14' Traditional Dutch Barn*

White Siding • White Trim • Dual Gray Shingles



*8' x 8' Garden Cottage A-Frame*

7/12 Pitch Roof • Gray Siding • Mushroom Trim  
Barkwood Shingles • 4' Porch

Options Shown: Pine Trim, Wood Window Upgrade, Beaded Pine  
Door with Wood Transom Window, Timber Frame Gable



*10' x 16' New England A-Frame*

8/12 Pitch Roof • Navajo White Siding • Buckskin Trim  
Brown Shingles • Avocado Shutters

Options Shown: 5 Extra 24x36 Windows, Transom Windows Above  
24x36 Windows, Gutters and Downspout  
Transom Window In Door



*12' x 16' New England A-Frame*

9/12 Pitch Roof • Clay Siding • Navajo White Trim  
Weatherwood Shingles • White Shutters

Options Shown: Diamond Plate Threshold, Transom Windows  
in Double Doors, 2 Window Transom Dormer,  
Vinyl Raised Panel Shutters





*8' x 12' Traditional A-Frame*  
 7/12 Pitch Roof • Lite Gray Siding • White Trim  
 Dual Gray Shingles



*10' x 16' New England A-Frame*  
 9/12 Pitch Roof • Dark Gray Siding  
 White Trim • Dual Black Shingles  
 Options Shown: A-Frame Dormer, Transom Windows in Doors,  
 Diamond Tread Plate, Extra Single Door



*12' x 20' New England A-Frame*  
 7/12 Pitch Roof • Siding • Black Trim  
 Dual Black Shingles • Black Shutters  
 Options Shown: A-Frame Dormer, Extra Single Door with  
 9-Lite Transom Windows in Double Doors



*10' x 16' New England A-Frame*  
 7/12 Pitch Roof • Flag Red Siding • White Trim  
 Charcoal Gray Shingles  
 Options Shown: Diamond Plate Threshold, Extra Single Door with  
 Transom Window, Transom Windows in Double Doors



*8' x 12' New England A-Frame*  
 7/12 Pitch Roof • Custom Cedar Shake Siding • Custom Trim  
 Weatherwood Shingles  
 Options Shown: Cedar Shake Siding, Transom Windows in Doors,  
 Diamond Plate Threshold



*10' x 16' New England A-Frame*  
 7/12 Pitch Roof • Linen Siding • White Trim  
 Weatherwood Shingles  
 Options Shown: 3 Window Transom Dormer,  
 Diamond Plate Threshold



*12' x 28' Traditional A-Frame*

7/12 Pitch Roof • Chestnut Brown Urethane Siding and Trim  
 Cedar Urethane on Doors • Harvard Slate Shingles  
 Options Shown: A-Frame Dormer with Octagon Window,  
 Extra Single Door with Wood 6-Lite Window, 15-Lite Cedar  
 Wood Double Door Upgrade, 4x10 Porch



*12' x 20' Garden Cottage A-Frame*

7/12 Pitch Roof • Cedar Urethane Siding and Trim  
 Earthtone Cedar Shingles  
 Options Shown: Extra Single Door with Transom Window, Double  
 40x36 Wood Windows



*10' x 12' Garden Cottage A-Frame*

7/12 Pitch Roof • Buckskin Siding • White Trim  
 Weatherwood Shingles  
 Options Shown: 4x12 Porch, 15-Lite Fiberglass Door



*10' x 18' New England A-Frame*

7/12 Pitch Roof • Belmont Blue Siding  
 White Trim • Harvard Slate Shingles  
 Options Shown: Diamond Plate Threshold, Extra 3' Single Door,  
 Transom Windows In Doors, Extra 18x36 Window, 3 Window Transom  
 Dormer, Upgraded to 1/2 Moon Vents



*12' x 24' New England Garage*

7/12 Pitch Roof • Leola Almond Siding • White Trim  
 Weatherwood Shingles • Burgundy Shutters  
 Options Shown: Upgraded to Double Doors, Louvered  
 Vinyl Shutters, Carriage Style Garage Door



*8' x 12' Garden Cottage A-Frame*

7/12 Pitch Roof • Dark Gray Siding  
 White Trim • Dual Black Shingles  
 Options Shown: Extra 3' Single Door with Transom Window,  
 Transom Window Above Double Doors,  
 2 Window Transom Dormer



*10' x 16' Traditional A-Frame*

5/12 Pitch Roof • Tan Siding • White Trim  
Barkwood Shingles • Brown Shutters

Options Shown: Diamond Plate Threshold



*12' x 16' Traditional A-Frame*

7/12 Pitch Roof • Custom Siding • White Trim  
Black Standing Seam Metal Roof

Options Shown: A-Frame Dormer with  
Octagon Window, 3x8' Porch



*8' x 12' New England A-Frame*

7/12 Pitch Roof • Cedar Shake Siding  
White Trim • Charcoal Shingles

Options Shown: Transom Windows in Doors,  
A-Frame Dormer, Diamond Plate Threshold



*14' x 32' Custom A-Frame*

6/12 Pitch Roof • White Siding • White Trim  
Charcoal Gray Shingles



*8' x 12' Custom A-Frame*

7/12 Pitch Roof • White Siding • Stained Trim

Options Shown: Charcoal Metal Roof, Round Doors  
Stone Around Bottom



*12' x 16' New England A-Frame*

9/12 Pitch Roof • Cream Siding • White Trim  
Earthtone Cedar Shingles

Options Shown: Diamond Plate  
Threshold, Louvered Vinyl Shutters



*12' x 28' Quaker  
Horse Barn*  
Buckskin Siding • White Trim  
Barkwood Shingles  
2 - 12x10 Stalls, 12x8 Tack Room

*12' x 26' A-Frame  
Horse Barn*  
Avocado Siding • Tan Trim  
Charcoal Metal Roof  
1 - 12x16 stall and 12x10 Tack Room  
Options Shown: Metal Roof,  
Insulated Windows



*30' x 40' A-Frame Horse Barn*  
Red Siding • White Trim • Williamsburg Slate Shingles





*12' x 20' Quaker  
Run-in Shed with  
Tack Room*

Pine Board-n-Batten Siding,  
Stained Mushroom



*12' x 16' A-Frame  
Run-in Shed*

Tan Metal Siding with  
Black Wainscoting,  
Black Metal Roof



*10' x 12' Quaker  
Run-in Shed*

Buckskin Siding, White Trim  
Barkwood Shingles

# Single and Double Doors



Traditional Double Door



Deluxe Double Door



New England Double Door



Fiberglass Double Door



Deluxe Doors upgraded with Transom Windows in Doors



Deluxe Doors upgraded with Transom Window Above Door



Deluxe Doors upgraded with Eyebrow Round - Wood



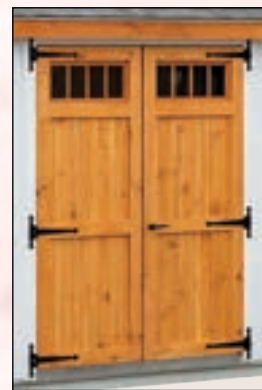
Deluxe Doors upgraded with 12-Lite Wood Window



Sliding Barn Door Upgrade



Carriage Double Doors



Beaded Pine with Transom



Wood Round

# Windows



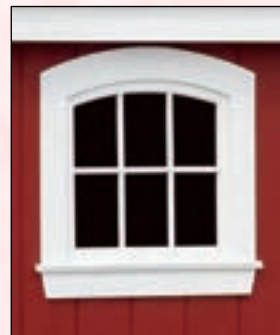
6-Lite - Wood



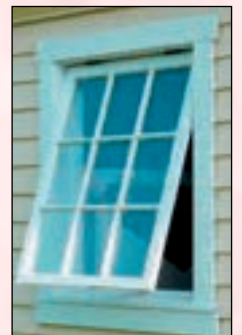
18" x 36" Aluminum



24" x 36" Aluminum



28" x 25" Arch



Tilt Out Window

## Paint Colors



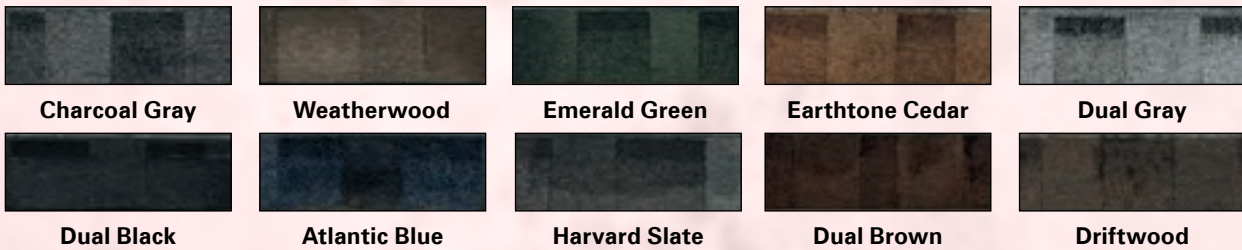
## Stain



## Vinyl Colors

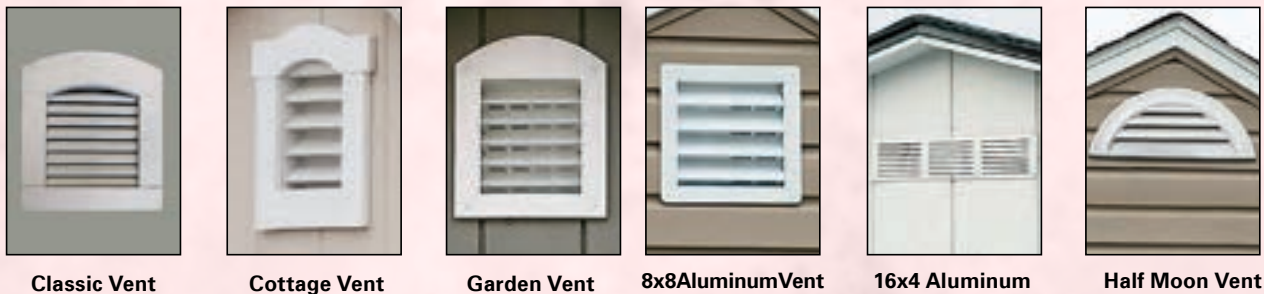


## Shingle Colors



*Please contact us for a large selection of metal roof colors.*

## Vents





*Value  
Sheds*

8' x 12' Value A-Frame  
Buckskin Siding • White Trim  
Weatherwood Shingles



8' x 8' Value Minibarn  
Clay Siding • White Trim  
Weatherwood Shingles