

## FRONT ELEVATION

SCALE: 1/4" = 1'-0"

BUILDER:



www.CREATIVEGAZEBOS.com

PROJECT:

12x14 Wood Pavilion,  
Open Gables

|       |         |      |
|-------|---------|------|
| FINAL | 8/26/21 | E.S. |
|       |         |      |
|       |         |      |
|       |         |      |



**DRAFTING**

CONCEPTS

5219 Old Strasburg Rd.  
Kinzers, PA 17535

P. 717-442-5053 F. 717-370-5925

John@DraftingConceptsLLC.net

SCALE:

AS NOTED

SHEET TITLE:

Cover sheet

PROJECT NO.:

D519-21

### CODE & LOADING INFORMATION

**OCCUPANCY TYPE**

- RESIDENTIAL STORAGE

**CONSTRUCTION TYPE**

- TYPE 5 B

**LOADING NOTES**

- 1st FLOOR ON GRADE

- GROUND SNOW = 30 PSF

- DEAD LOADS = 10 PSF

- BASIC WIND SPEED = 115 MPH

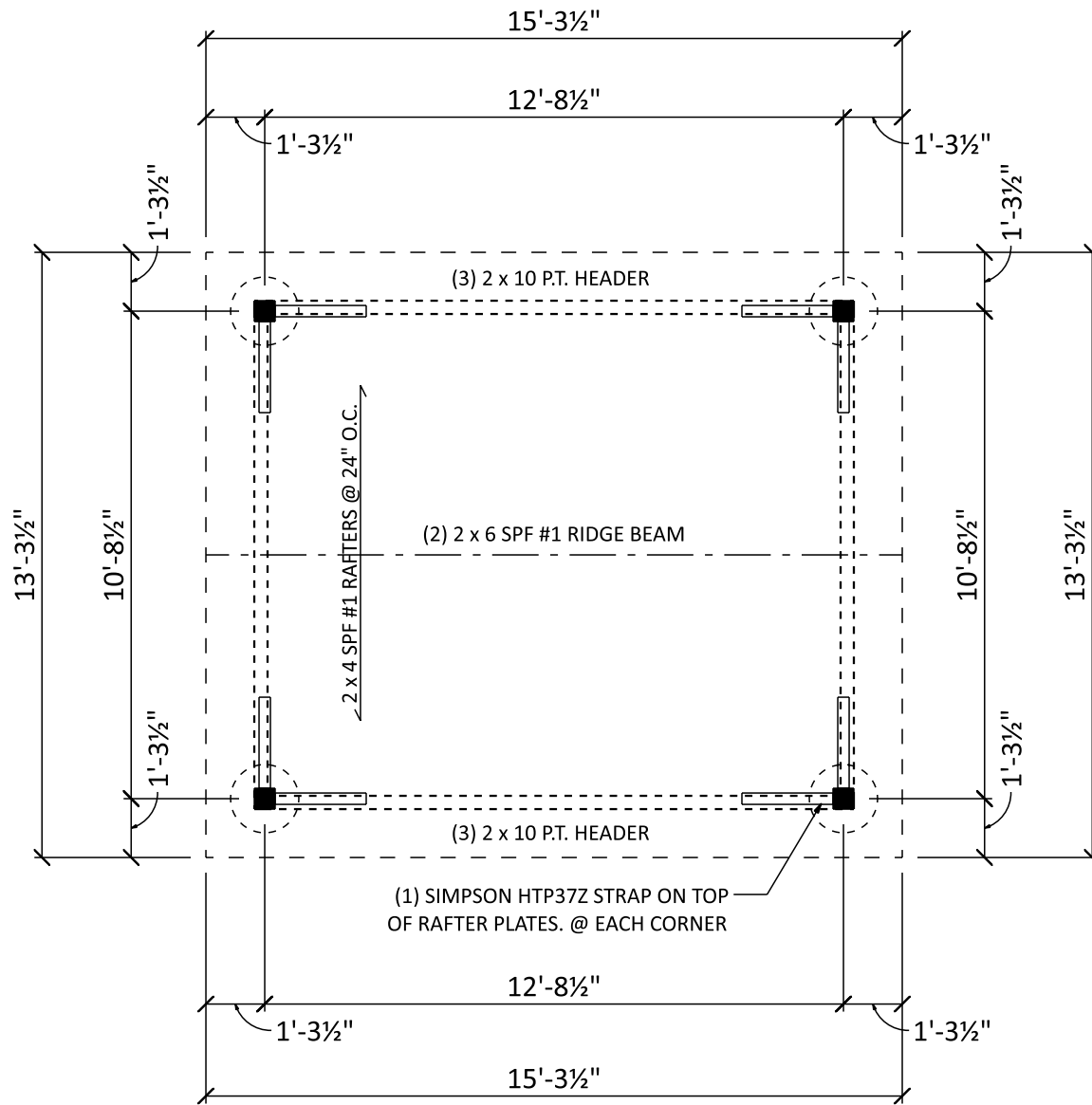
- EXPOSURE CLASS = B

- SEISMIC DESIGN CATEGORY = B

- FROST LINE DEPTH = 36"

- ASSUMED SOIL CLASS = GM, GC

- SOIL BEARING CAPACITY = 2000 PSF  
IF SOIL DIFFERS FROM ASSUMED ABOVE  
(REFER TO IRC CODES)



# FLOOR PLAN

SCALE: 1/4" = 1'-0"

BUILDER:



www.CREATIVEGAZEBOS.com

PROJECT:

12x14 Wood Pavilion,  
Open Gables

|       |         |      |
|-------|---------|------|
| FINAL | 8/26/21 | E.S. |
|       |         |      |
|       |         |      |
|       |         |      |



**DRAFTING**  
CONCEPTS

5219 Old Strasburg Rd.  
Kinzers, PA 17535

P. 717-442-5053 F. 717-370-5925  
John@DraftingConceptsLLC.net

SCALE:

AS NOTED

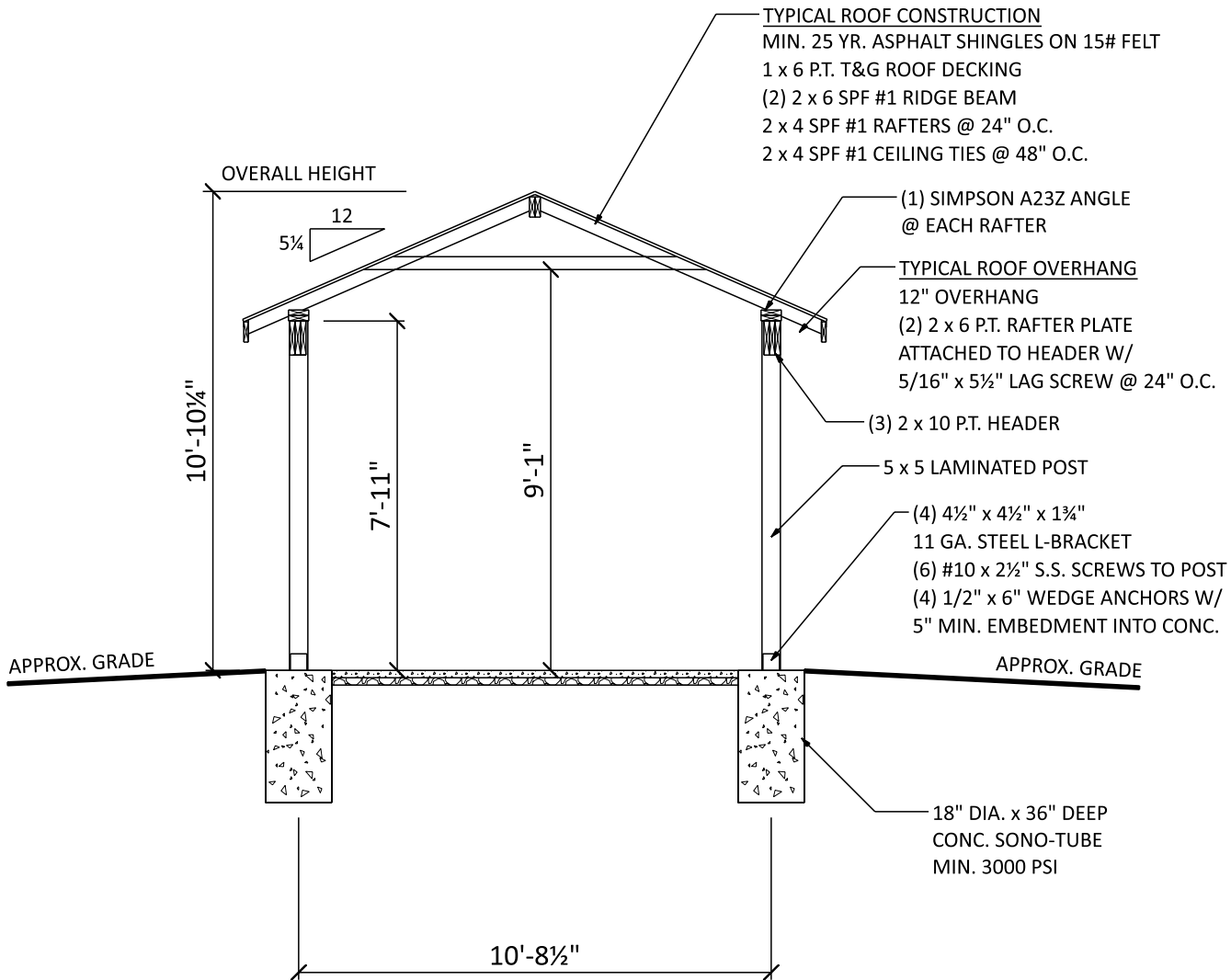
SHEET TITLE:

Floor plan

PROJECT NO.:

D519-21

2



**SECTION A**  
 SCALE: 1/4" = 1'-0"

BUILDER:



PROJECT:

12x14 Wood Pavilion,  
 Open Gables

|       |         |      |
|-------|---------|------|
| FINAL | 8/26/21 | E.S. |
|       |         |      |
|       |         |      |
|       |         |      |



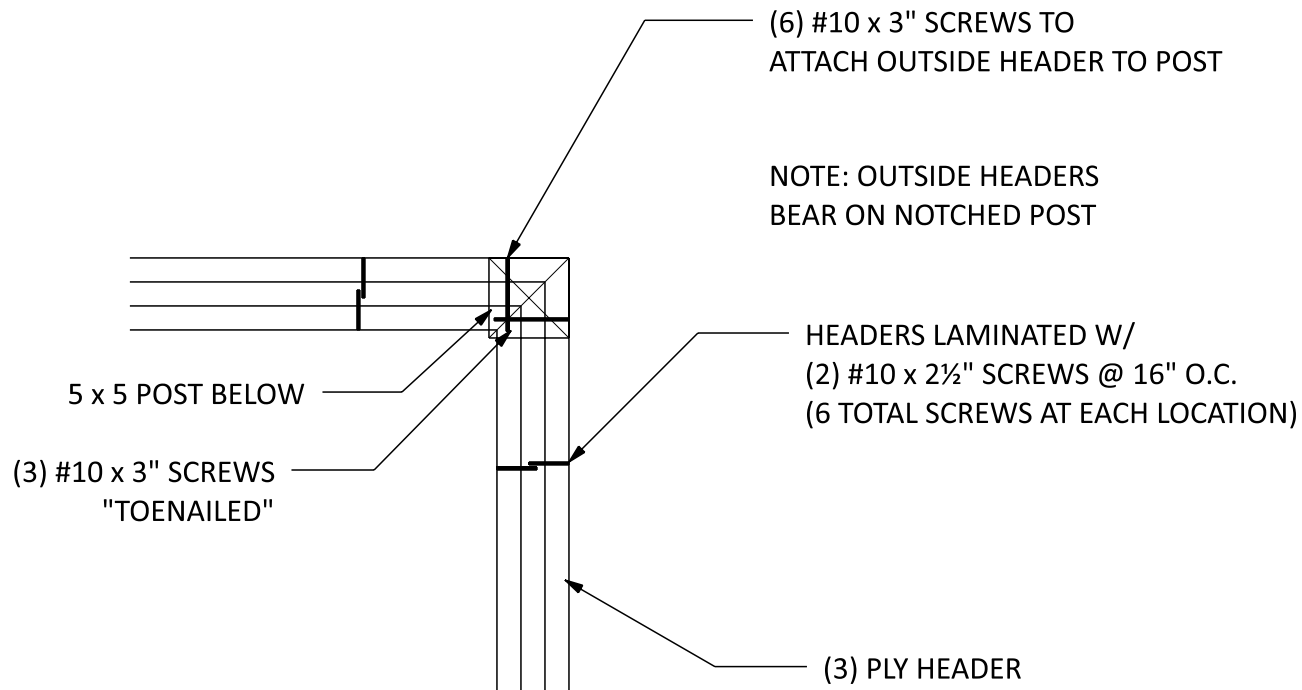
**DRAFTING**  
 CONCEPTS

5219 Old Strasburg Rd.  
 Kinzers, PA 17535  
 P. 717-442-5053 F. 717-370-5925  
 John@DraftingConceptsLLC.net

SCALE:  
 AS NOTED

SHEET TITLE:  
 Section A

PROJECT NO.:  
 D519-21



## HEADER TO POST

SCALE: 1" = 1'-0"

BUILDER:



www.CREATIVEGAZEBOS.com

PROJECT:

12x14 Wood Pavilion,  
Open Gables

|       |         |      |
|-------|---------|------|
| FINAL | 8/26/21 | E.S. |
|       |         |      |
|       |         |      |
|       |         |      |



**DRAFTING**

CONCEPTS

5219 Old Strasburg Rd.  
Kinzers, PA 17535

P. 717-442-5053 F. 717-370-5925

John@DraftingConceptsLLC.net

SCALE:

AS NOTED

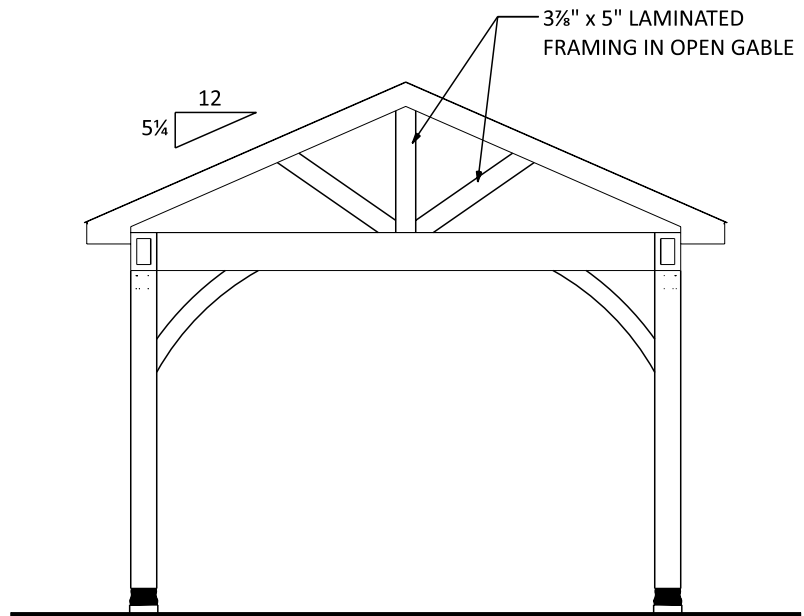
SHEET TITLE:

Header detail

PROJECT NO.:

D519-21

4



## RIGHT ELEVATION

SCALE: 1/4" = 1'-0"

BUILDER:



www.CREATIVEGAZEBOS.com

PROJECT:

12x14 Wood Pavilion,  
Open Gables

|       |         |      |
|-------|---------|------|
| FINAL | 8/26/21 | E.S. |
|       |         |      |
|       |         |      |
|       |         |      |



**DRAFTING**  
CONCEPTS

5219 Old Strasburg Rd.  
Kinzers, PA 17535

P. 717-442-5053 F. 717-370-5925

John@DraftingConceptsLLC.net

SCALE:

AS NOTED

SHEET TITLE:

Right elevation

PROJECT NO.:

D519-21

5

FASTENER SCHEDULE FOR STRUCTURAL MEMBERS

| DESCRIPTION OF BUILDING ELEMENTS   | NUMBER AND TYPE OF FASTENER   | SPACING OF FASTENERS   |
|--|---|--|
| <b>ROOF</b>  |   |  |
| CEILING JOISTS TO TOP PLATE  | (3) 10d   | TOE NAIL   |
| CEILING JOISTS NOT ATTACHED TO PARALLEL RAFTER, LAPS OVER PARTITIONS   | (4) 10d   | FACE NAIL  |
| COLLAR TIE TO RAFTER, FACE NAIL OR 1X" X 20 GAGE RIDGE STRAP TO RAFTER   | (4) 10d   | FACE NAIL EACH RAFTER  |
| RAFTER OR ROOF TRUSS TO PLATE  | (3) 16d   | TOE NAIL   |
| ROOF RAFTERS TO RIDGE, VALLEY OR HIP RAFTERS   | (4) 16d   | TOE NAIL   |
| <b>WALL</b>  |   |  |
| STUD TO STUD   | 16d   | 24" O.C. FACE NAIL   |
| BUILT-UP HEADER, TWO PIECES  | 16d   | 16" O.C. EA. EDGE FACE NAIL                                      |
| CONTINUOUS HEADER TO STUD  | (4) 8d  | TOE NAIL   |
| DOUBLE STUDS, FACE NAIL  | 10d   | 24" O.C.   |
| TOP PLATE TO TOP PLATE   | 10d   | 12" O.C. FACE NAIL   |
| DOUBLE TOP PLATES, MINIMUM 48-INCH OFFSET OF END JOINTS, FACE NAIL IN LAPPED AREA  | (8) 16d   | -----  |
| BOTTOM PLATE TO JOIST, RIM JOIST, BAND JOIST OR BLOCKING   | 16d   | 12" O.C. FACE NAIL   |
| BOTTOM PLATE TO JOIST, RIM JOIST, BAND JOIST OR BLOCKING (AT BRACED WALL PANEL)  | (3) 16d   | 16" O.C. FACE NAIL   |
| TOP OR BOTTOM PLATE TO STUD  | (3) 16d   | END NAIL   |
| TOP PLATES, LAPS AT CORNERS AND INTERSECTIONS  | (3) 10d   | FACE NAIL  |
| JOIST TO SILL, TOP PLATE OR GIRDER   | (4) 8d  | TOE NAIL   |
| RIM JOIST, BAND JOIST, OR BLOCKING TO SILL OR TOP PLATE (ROOF APPLICATIONS ALSO)   | 10d   | 6" O.C. TO NAIL  |
| BUILT-UP GIRDERS AND BEAMS, 2-INCH LUMBER LAYERS   | 10d   | 24" O.C. FACE NAIL AT TOP AND BOTTOM STAGGERED ON OPPOSITE SIDES |
| <b>WOOD STRUCTURAL PANELS, SUBFLOOR, ROOF AND INTERIOR WALL SHEATHING TO FRAMING AND PARTICLEBOARD WALL SHEATHING TO FRAMING</b> |   |  |
| $\frac{5}{16}$ " - $\frac{1}{2}$ "   | 6d COMMON NAIL (SUBFLOOR, WALL)<br>8d COMMON NAIL (ROOF)                                      | 6 12   |
| $\frac{19}{32}$ " - 1"   | 8d COMMON NAIL  | 6 12   |
| $\frac{1}{4}$ " GYPSUM SHEATHING   | 1 1/2" GALVANIZED ROOFING NAIL; STAPLE GALVANIZED,<br>1 1/2" LONG; 1 1/4" SCREWS, TYPE W OR S | 7 7  |
| $\frac{5}{8}$ " GYPSUM SHEATHING   | 1 1/2" GALVANIZED ROOFING NAIL; STAPLE GALVANIZED,<br>1 1/2" LONG; 1 1/2" SCREWS, TYPE W OR S | 7 7  |

ALTERNATE ATTACHMENTS

| NOM. MATERIAL THICKNESS (INCHES)   | DESCRIPTION OF FASTENER AND LENGTH (INCHES) | SPACING OF FASTENERS |                                |
|--|---|----------------------|--------------------------------|
|  |   | EDGES (INCHES)       | INTERMEDIATE SUPPORTS (INCHES) |
| <b>WOOD STRUCTURAL PANELS, SUBFLOOR, ROOF AND INTERIOR WALL SHEATHING TO FRAMING AND PARTICLEBOARD WALL SHEATHING TO FRAMING</b> |   |                      |                                |
| UP TO $\frac{1}{2}$ "  | STAPLES 15 GA. 1 $\frac{3}{4}$ "            | 4                    | 8                              |
|  | NAIL 2 $\frac{1}{4}$ "                      | 3                    | 6                              |
|  | STAPLES 16 GA. 1 $\frac{3}{4}$ "            | 3                    | 6                              |
| $\frac{23}{32}$ " AND $\frac{3}{4}$ "  | STAPLES 14 GA. 2                            | 4                    | 8                              |
|  | STAPLES 15 GA. 1 $\frac{3}{4}$ "            | 3                    | 6                              |
|  | NAIL 2 $\frac{1}{4}$ "                      | 4                    | 8                              |

TABLE R602.3(3) REQUIREMENTS FOR WOOD STRUCTURAL PANEL WALL SHEATHING USED TO RESIST WIND PRESSURES

| SIZE                      | PENETRATION (INCHES) | MINIMUM WOOD STRUCTURAL PANEL SPAN RATING | MINIMUM NOMINAL PANEL THICKNESS (inches) | MAXIMUM WALL STUD SPACING (inches) | PANEL NAIL SPACING  |                     | MAXIMUM WIND SPEED (MPH) |     |     |
|---------------------------|----------------------|---|--|------------------------------------|---------------------|---------------------|--------------------------|-----|-----|
|                           |                      |   |  |                                    | EDGES (INCHES O.C.) | FIELD (INCHES O.C.) | WIND EXPOSURE CATEGORY   |     |     |
|                           |                      |   |  |                                    |                     |                     | B                        | C   | D   |
| 6d COMMON (2.0" X 0.113") | 1.5                  | 24/0                                      | 3/8                                      | 16                                 | 6                   | 12                  | 110                      | 90  | 85  |
| 8d COMMON (2.5" X 0.131") | 1.75                 | 24/16                                     | 7/16                                     | 16                                 | 6                   | 12                  | 130                      | 110 | 105 |
|                           |                      |   |  | 24                                 | 6                   | 12                  | 110                      | 90  | 85  |

GENERAL NOTES

1. ALL CONSTRUCTION SHALL COMPLY WITH 2015 INTERNATIONAL RESIDENTIAL CODE.
2. BUILDER MUST VERIFY ALL DIMENSIONS AND ACCURACY BEFORE CONSTRUCTION.
3. WRITTEN DIMENSIONS SHALL TAKE PRECEDENCE OVER SCALED MEASUREMENTS.
4. WINDOW AND DOOR, SIZES AND LOCATIONS, MAY VARY.
5. ALL STRUCTURAL LUMBER SHALL BE SPRUCE-PINE-FIR #2 OR BETTER, UNLESS OTHERWISE NOTED.
6. ANY WOOD IN CONTACT WITH MASONRY TO BE PRESSURE-TREATED WOOD.
7. GRADE MUST SLOPE AWAY FROM STRUCTURE.

BUILDER:



www.CREATIVEGAZEBOS.com

PROJECT:

12x14 Wood Pavilion,  
Open Gables

|       |         |      |
|-------|---------|------|
| FINAL | 8/26/21 | E.S. |
|       |         |      |
|       |         |      |
|       |         |      |



**DRAFTING**  
CONCEPTS

5219 Old Strasburg Rd.  
Kinzers, PA 17535

P. 717-442-5053 F. 717-370-5925  
John@DraftingConceptsLLC.net

SCALE:

AS NOTED

SHEET TITLE:

General notes

PROJECT NO.:

D519-21

6