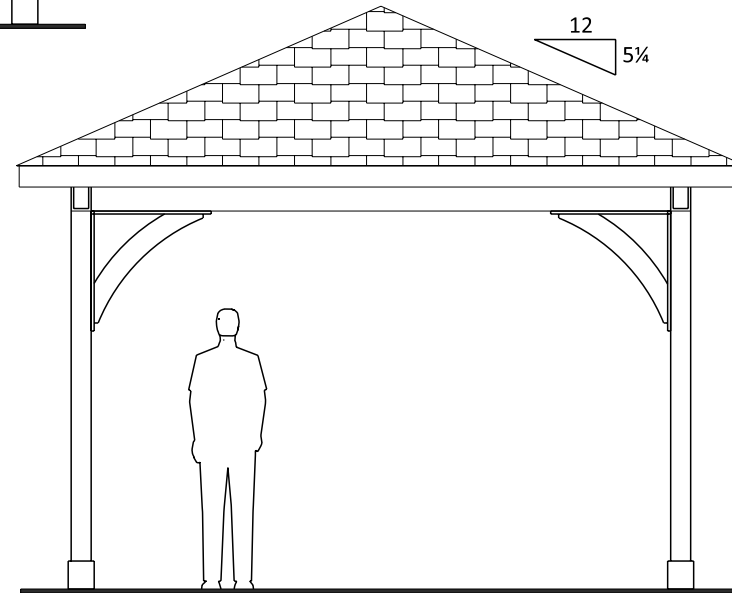



Front Elevation



Side Elevation

**CODE & LOADING INFORMATION**

Occupancy Type = Residential Storage  
 Construction Type = Type 5B  
 Loading Notes = 1st Floor on Grade  
 Ground Snow = 30 PSF  
 Dead Loads = 10 PSF  
 Basic Wind Speed = 115 MPH  
 Exposure Class = B  
 Seismic Design Category = B  
 Frost Line Depth = 36"  
 Assumed Soil Class = GM, GC  
 Soil Bearing Capacity = 2000 PSF  
 If Soil differs from assumed above  
 (Refer to IRC Codes)

 <b>Creative Gazebos</b> WWW.CREATIVEGAZEBOS.COM	SITE LOCATION:	14 x 20 Keystone Pavilion (4 post)	
		DATE: Thursday, March 14, 2024	
		SCALE: 1/4" = 1'-0"	BY: MERVIN E
			PAGE: 1

**BUILDING CODES:**

ALL CONSTRUCTION SHALL COMPLY WITH THE REQUIREMENTS OF ANY AND ALL APPLICABLE STATE, COUNTY AND LOCAL BUILDING CODES OR REGULATION INCLUDING BUT NOT LIMITED TO THE FOLLOWING:

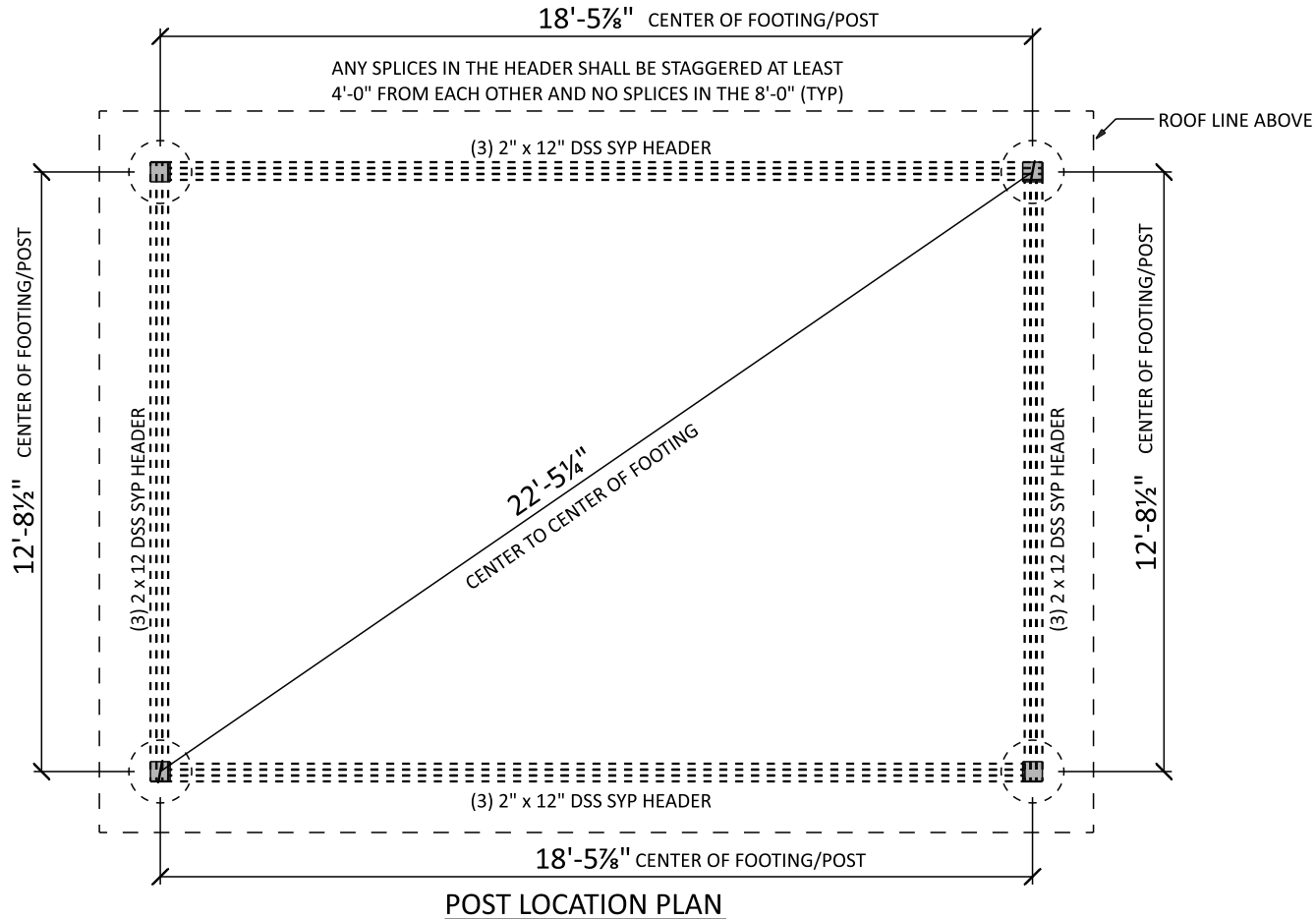
-INTERNATIONAL RESIDENTIAL CODE (IRC) AS ADOPTED AND/OR AMENDED BY LOCAL MUNICIPAL AUTHORITY


**ENGINEERING NOTES:**

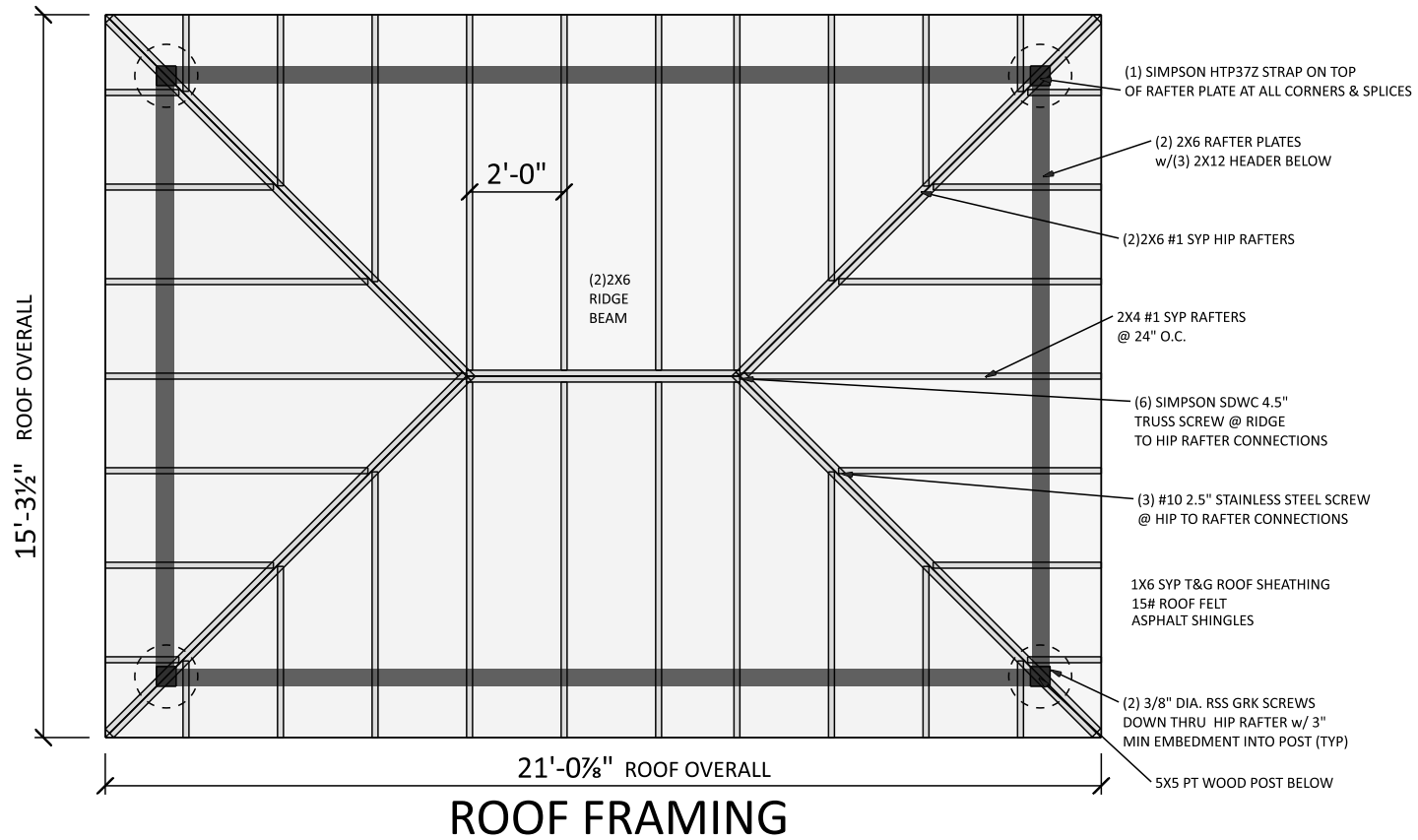
THESE DRAWING ARE TO BE USED ONLY AS AN ARCHITECTURAL GUIDE FOR THE CONSTRUCTION OF THIS PROJECT. THERE HAS NOT BEEN ANY STRUCTURAL MECHINICAL, ELECTRICAL OR SITE ENGINEERING PERFORMED FOR THIS PROJECT. IT SHALL BE THE RESPONSIBILITY OR OTHERS TO OBTAIN DESIGN DATA FROM A LICENSED ENGINEER FOR THESE SYSTEMS. ENGINEERING SHALL CONFIRM WITH APP APPLICABLE LOCAL AND/OR STATE BUILDING CODES AND REGULATIONS.


**CONSTRUCTION NOTES:**

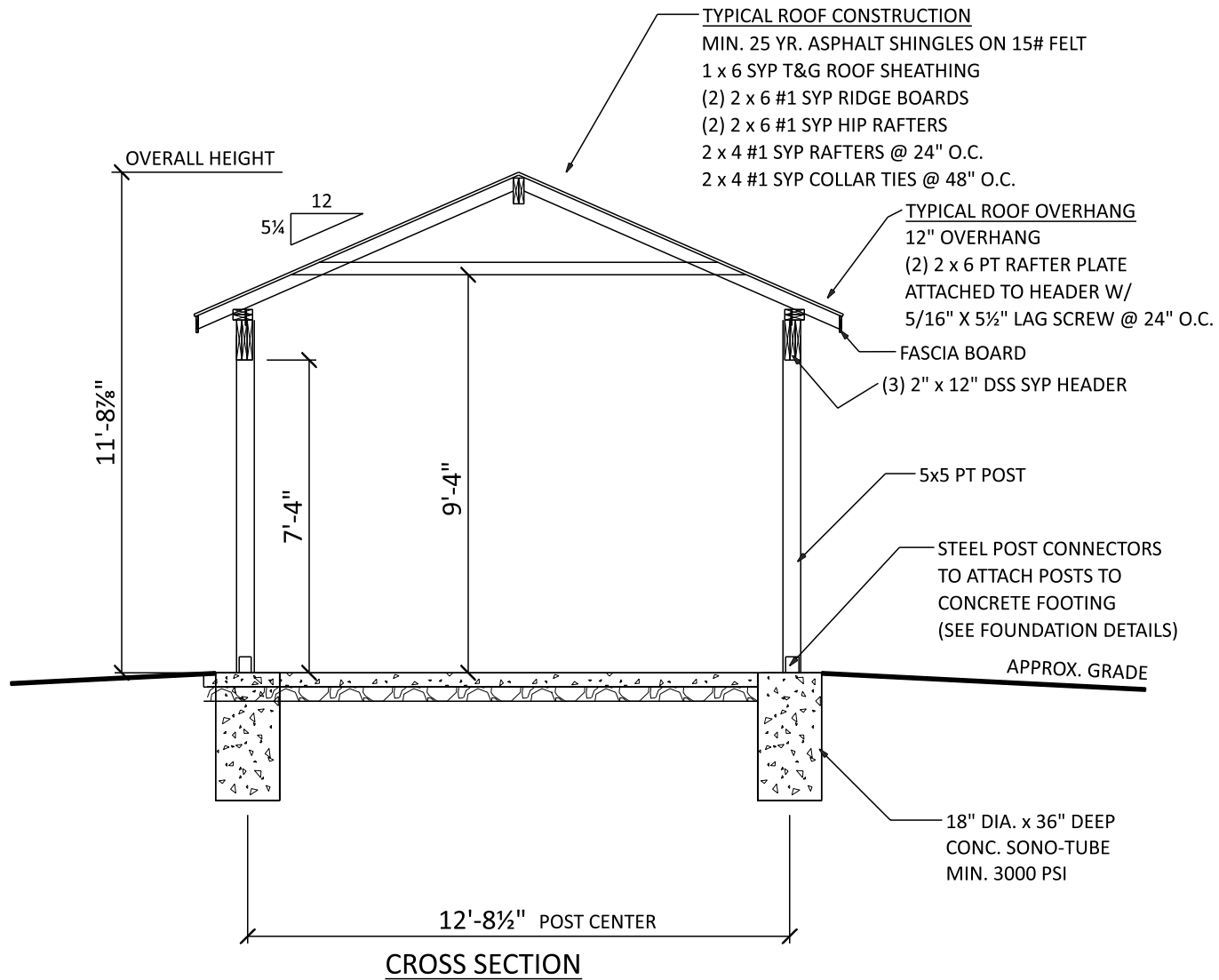
- ALL WOOD TO BE PRESSURE TREATED SYP #1 OR BETTER  
 - EACH ROOF BOARD SHALL BE SECURED TO EACH FRAMING MEMBER WITH (3) 1 1/2" X 7/16" CROWN STAPLES (16 GAUGE) OR (2) 8d RING SHANK NAILS  
 - ALL HARDWARE TO BE GALVANIZED, POWDER-COATED OR STAINLESS STEEL




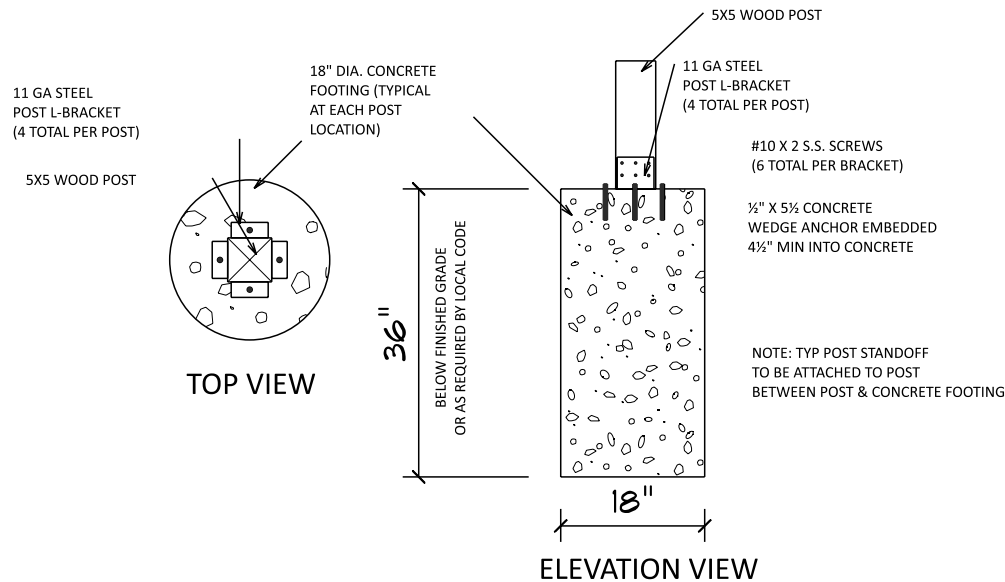
 <b>Creative Gazebos</b> WWW.CREATIVEGAZEBOS.COM	SITE LOCATION:	14 x 20 Keystone Pavilion (4 post)	
		DATE: Thursday, March 14, 2024	
	SCALE: 1/4" = 1'-0"	BY: MERVIN E	PAGE: 2



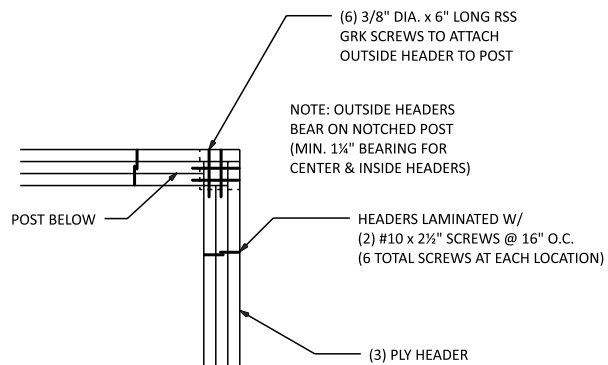
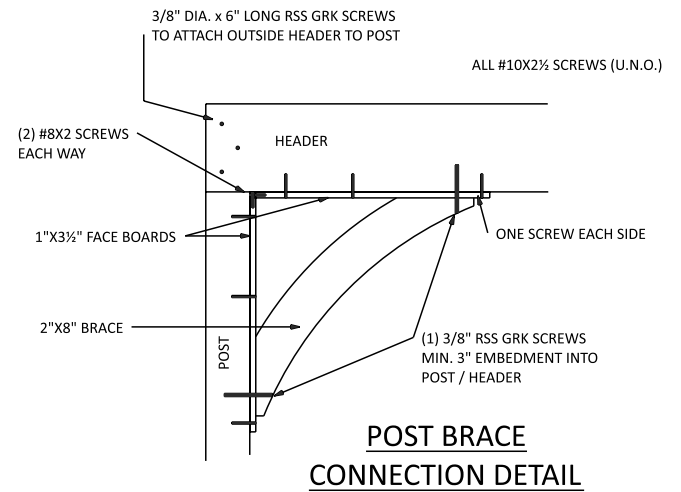
 <b>Creative Gazebos</b> WWW.CREATIVEGAZEBOS.COM	SITE LOCATION:	14 x 20 Keystone Pavilion (4 post)	
		DATE: Thursday, March 14, 2024	
		SCALE: 1/4" = 1'-0"	BY: MERVIN E
		PAGE: <b>3</b>	



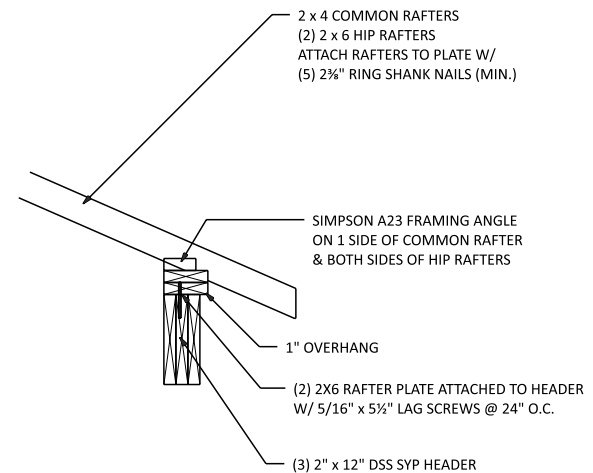
 <b>Creative Gazebos</b> WWW.CREATIVEGAZEBOS.COM	SITE LOCATION:	14 x 20 Keystone Pavilion (4 post)	
		DATE: Thursday, March 14, 2024	
		SCALE: 1/4" = 1'-0"	BY: MERVIN E
		PAGE: 4	




### FOUNDATION DETAILS



### HEADER TO POST CONNECTION DETAIL



### RAFTER CONNECTION DETAIL

 <b>Creative Gazebos</b> WWW.CREATIVEGAZEBOS.COM	SITE LOCATION:	14 x 20 Keystone Pavilion (4 post)		
		DATE: Thursday, March 14, 2024		
		SCALE: 1/2" = 1'-0"	BY: MERVIN E	
			PAGE: 5	