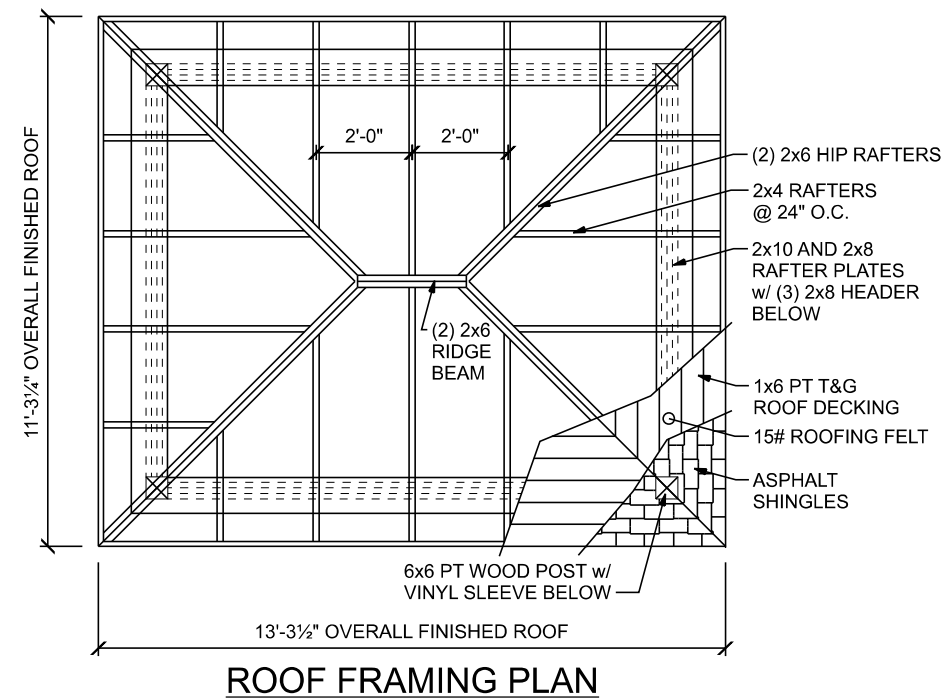
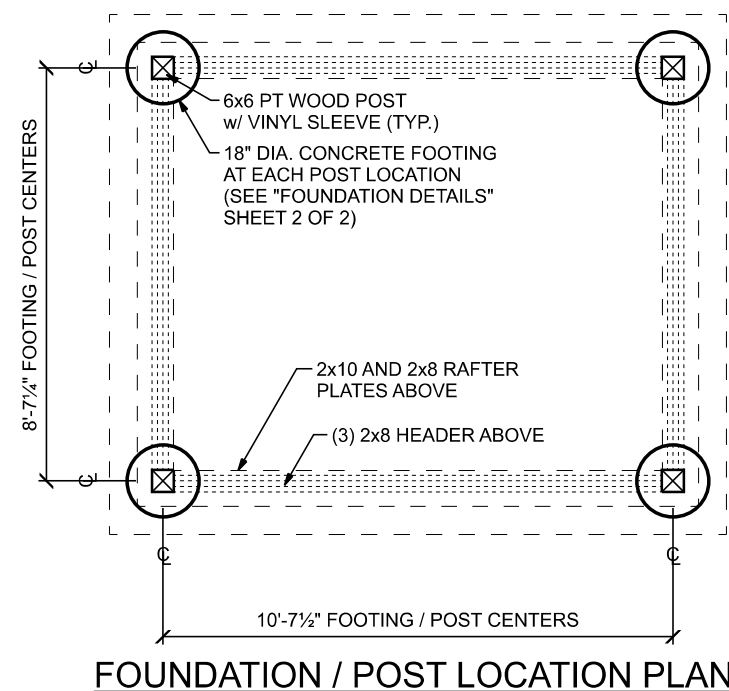


**BUILDING CODES:**  
 ALL CONSTRUCTION SHALL COMPLY WITH THE REQUIREMENTS OF ANY AND ALL APPLICABLE STATE, COUNTY AND LOCAL BUILDING CODES OR REGULATIONS INCLUDING BUT NOT LIMITED TO THE FOLLOWING:  
 -INTERNATIONAL RESIDENTIAL CODE (IRC) AS ADOPTED AND/OR AMENDED BY LOCAL MUNICIPAL AUTHORITY

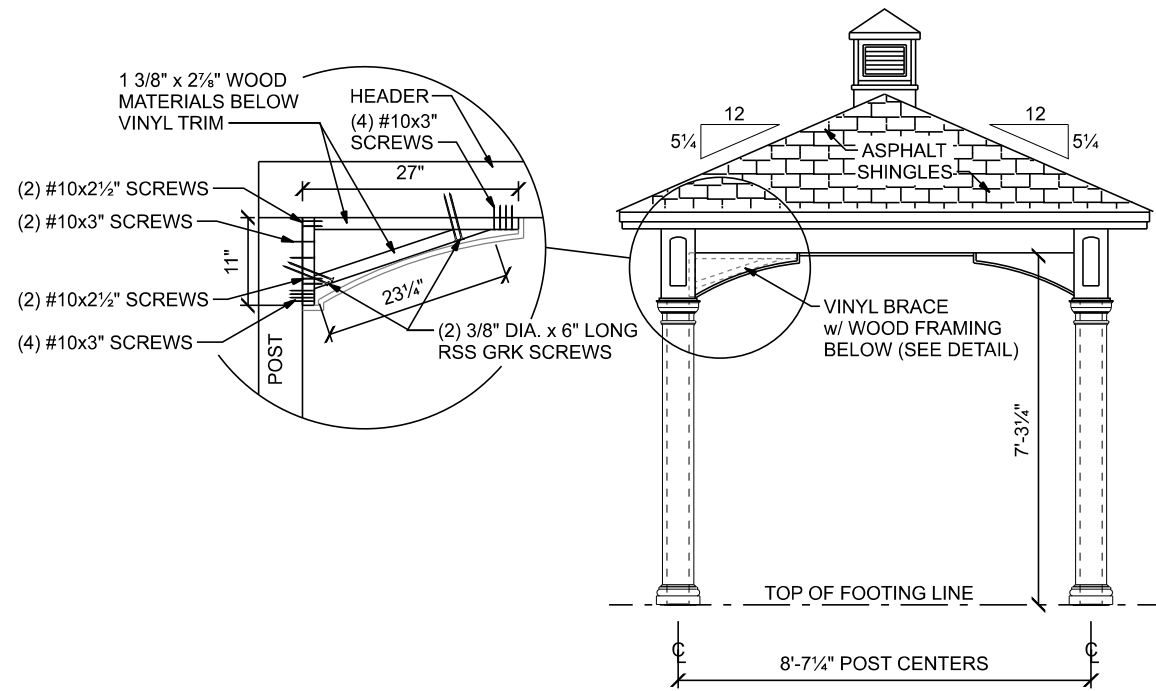
**ENGINEERING NOTES:**  
 THESE DRAWINGS ARE TO BE USED ONLY AS AN ARCHITECTURAL GUIDE FOR THE CONSTRUCTION OF THIS PROJECT. THERE HAS NOT BEEN ANY STRUCTURAL, MECHANICAL, ELECTRICAL OR SITE ENGINEERING PERFORMED FOR THIS PROJECT. IT SHALL BE THE RESPONSIBILITY OF OTHERS TO OBTAIN DESIGN DATA FROM A LICENSED ENGINEER FOR THESE SYSTEMS. ENGINEERING SHALL CONFORM WITH ALL APPLICABLE LOCAL AND/OR STATE BUILDING CODES AND REGULATIONS.

**CONSTRUCTION NOTES:**  
 -ALL WOOD TO BE PRESSURE TREATED SP #2 OR BETTER  
 -EACH ROOF BOARD SHALL BE SECURED TO EACH FRAMING MEMBER WITH (3) 1 1/4" x 7/16" CROWN STAPLES (16 GAUGE) OR (2) 8d RING SHANK NAILS  
 -ALL HARDWARE TO BE GALVANIZED, POWDER-COATED OR STAINLESS STEEL

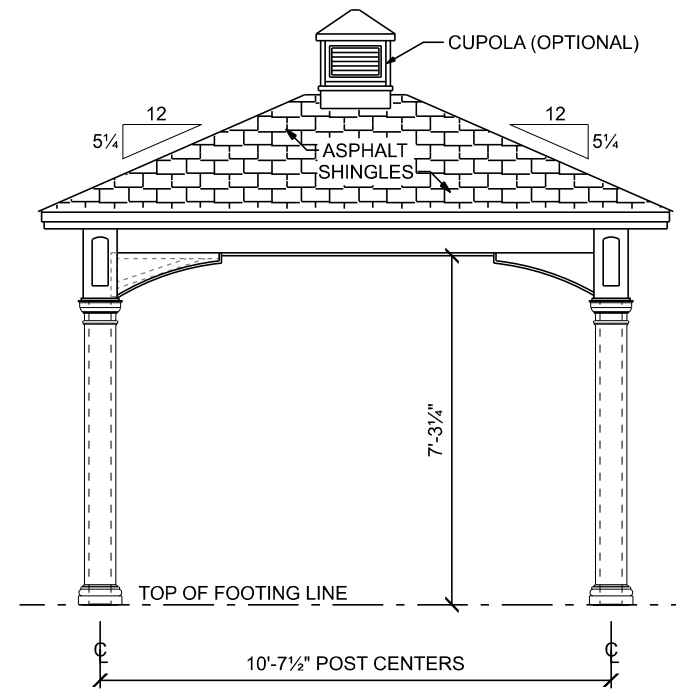


SITE LOCATION:

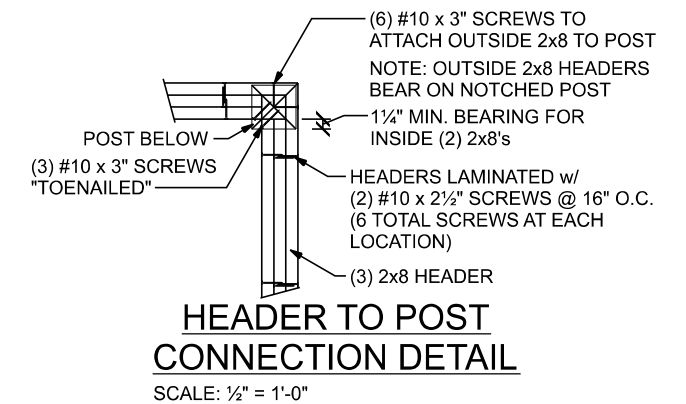
|   |                           |
|---|---------------------------|
| 10' x 12' MANOR PAVILION w/ 12" OVERHANGS |                           |
| DATE 5/8/2020                             | SCALE 1/4" = 1'-0" U.N.O. |
| REVISIONS                                 | P.N. 10 - 27              |
| SHEET NO. 1 OF 2                          |                           |



**END ELEVATION**

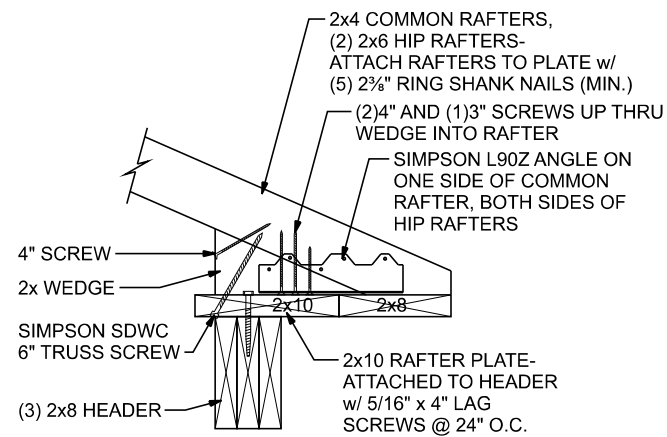


**SIDE ELEVATION**



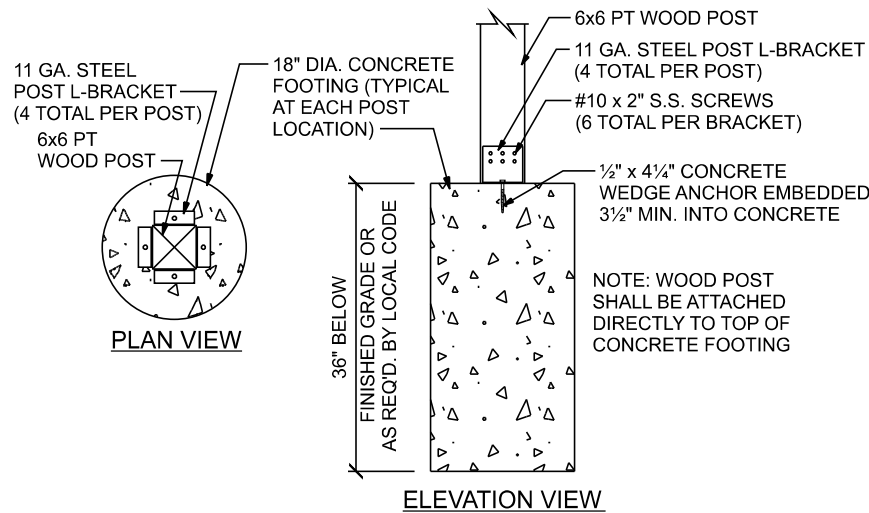
**HEADER TO POST CONNECTION DETAIL**

SCALE: 1/2" = 1'-0"



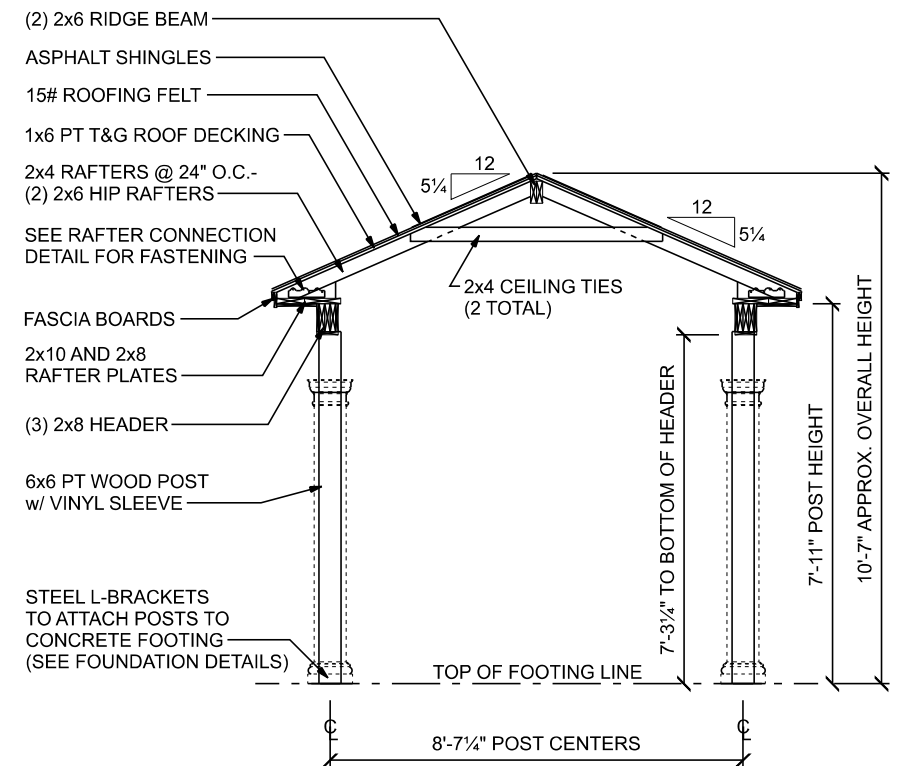
**RAFTER CONNECTION DETAIL**

SCALE: 1" = 1'-0"

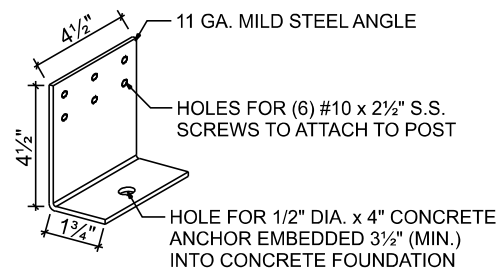


**FOUNDATION DETAILS**

SCALE: 1/2" = 1'-0"



**CROSS SECTION**



**L-BRACKET DETAIL**



SITE LOCATION:

10' x 12' MANOR PAVILION w/ 12" OVERHANGS

DATE 5/8/2020

SCALE 1/4" = 1'-0" U.N.O.

REVISIONS

P.N. 10 - 27

SHEET NO. 2 OF 2